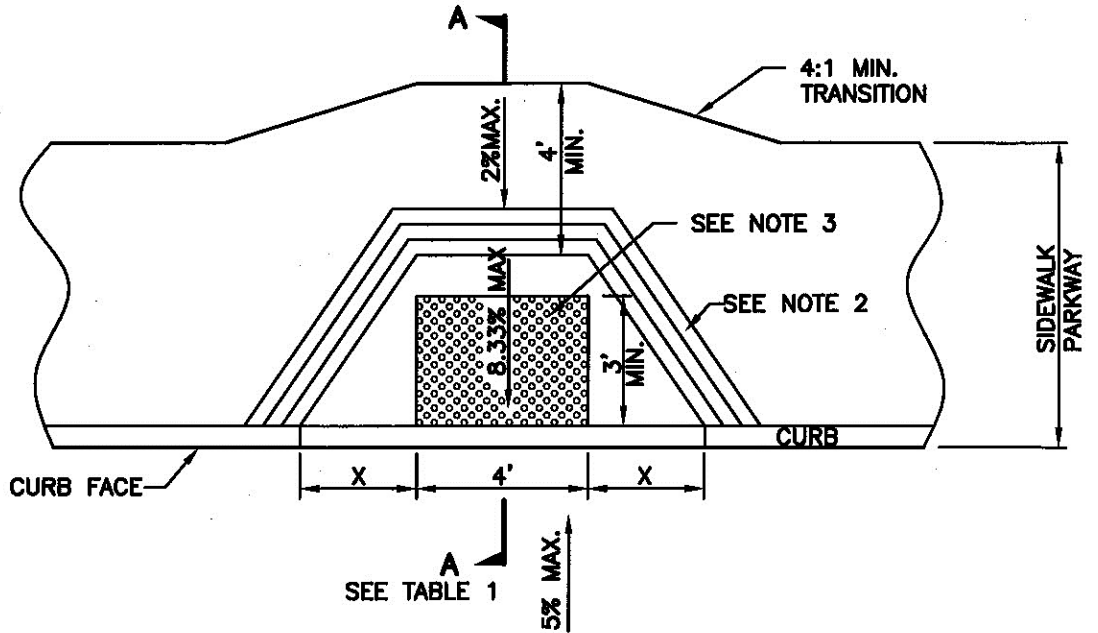
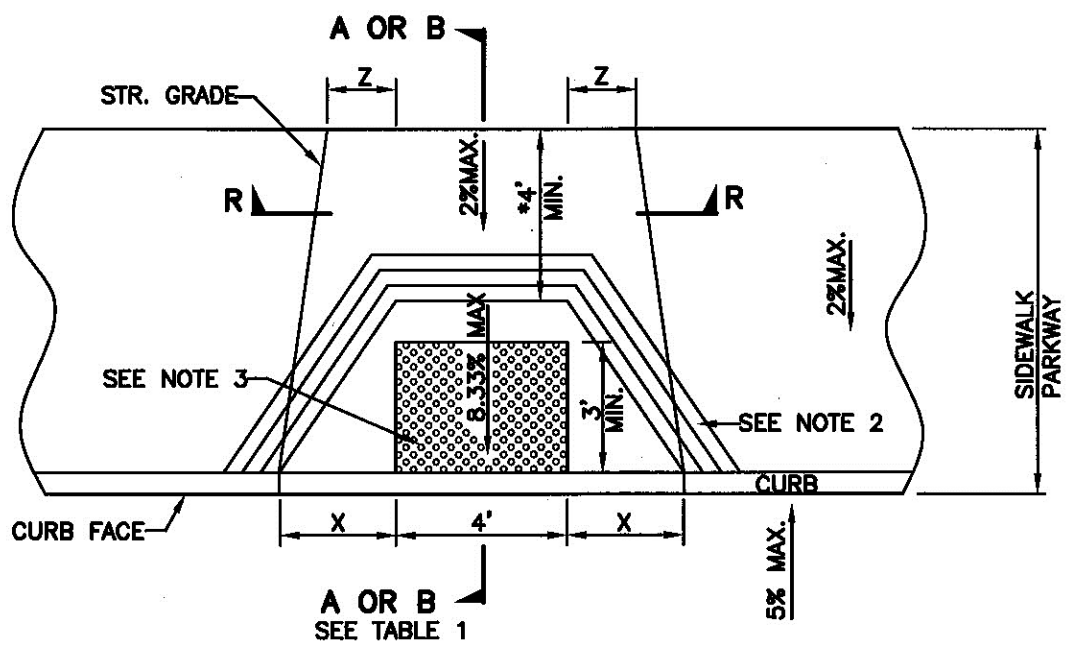


REV.	APPR. BY	DATE

REV.	APPR. BY	DATE
△	L. Balderrama	11-27-07
△	L. Balderrama	02-04-13



△ TYPE 1



TYPE 2

SEE TABLES 1 AND 2 FOR X AND Z VALUES (SHT. 9)

*3' MIN. ALLOWED WHERE EXISTING RIGHT-OF-WAY CONFLICTS

CASE A



CURB RAMP

STANDARD PLAN 2002

DRAWN: C. GIRON CKD.: P. WENDT

PLATE 110

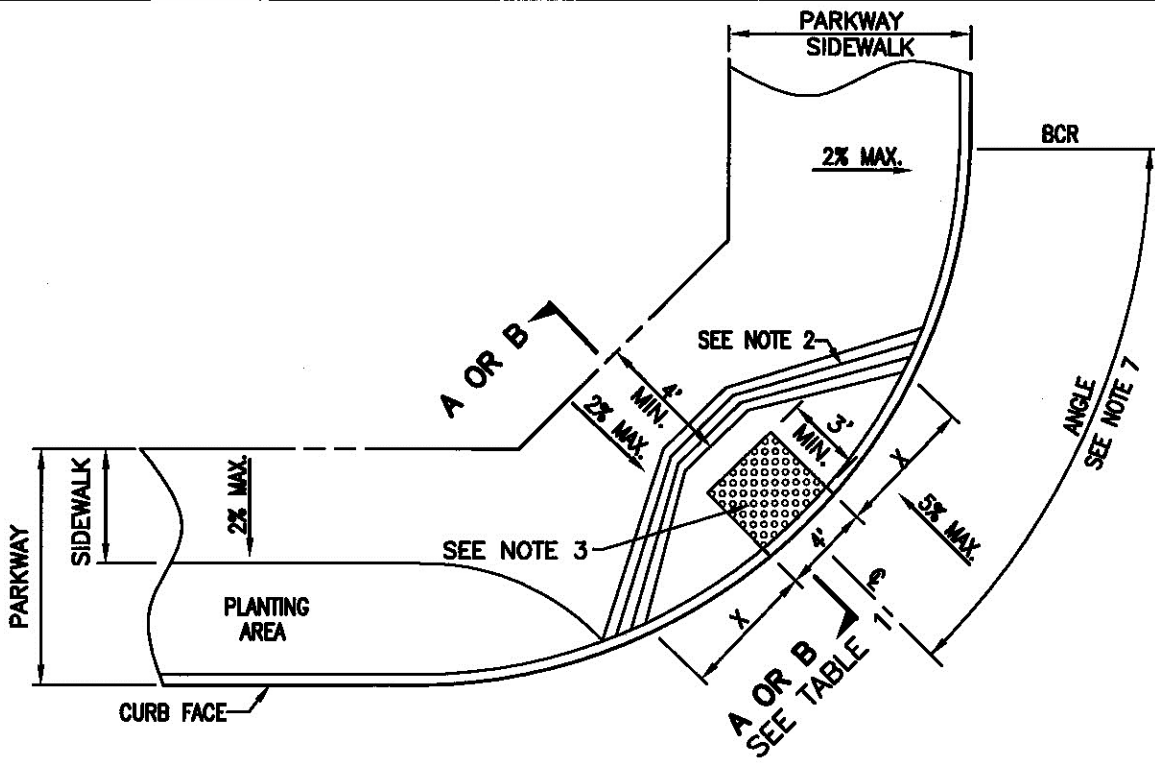
Department of Public Works

APPR. *[Signature]*
L. Balderrama, PE, City Engineer

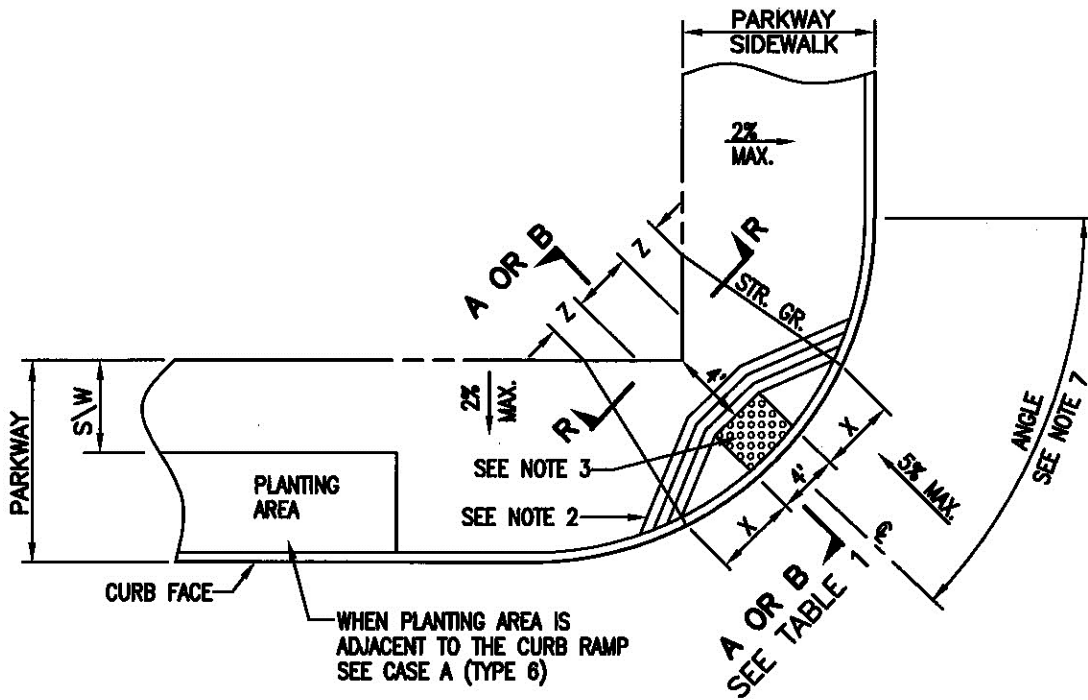
SHEET 1 OF 11

REV.	APPR. BY	DATE

REV.	APPR. BY	DATE
△	L. Balderrama	11-27-07
△	L. Balderrama	02-04-13



△ TYPE 3



WHEN PLANTING AREA IS ADJACENT TO THE CURB RAMP SEE CASE A (TYPE 6)

TYPE 4

CASE A

SEE TABLES 1 AND 2 FOR X AND Z VALUES (SHT. 9)

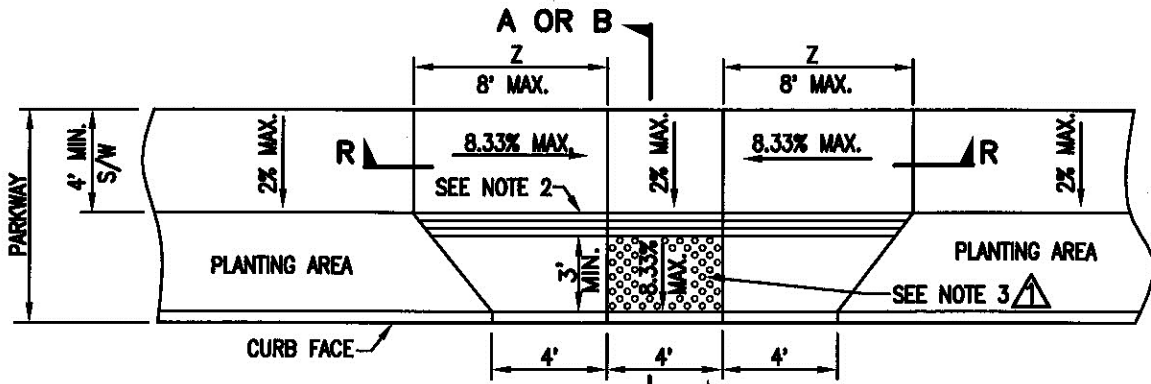
* 3' MIN. ALLOWED WHERE EXISTING RIGHT-OF-WAY CONFLICTS



DRAWN: C. GIRON | CKD.: P. WENDT
 Department of Public Works

APPR. *[Signature]*
 L. Balderrama, PE, City Engineer

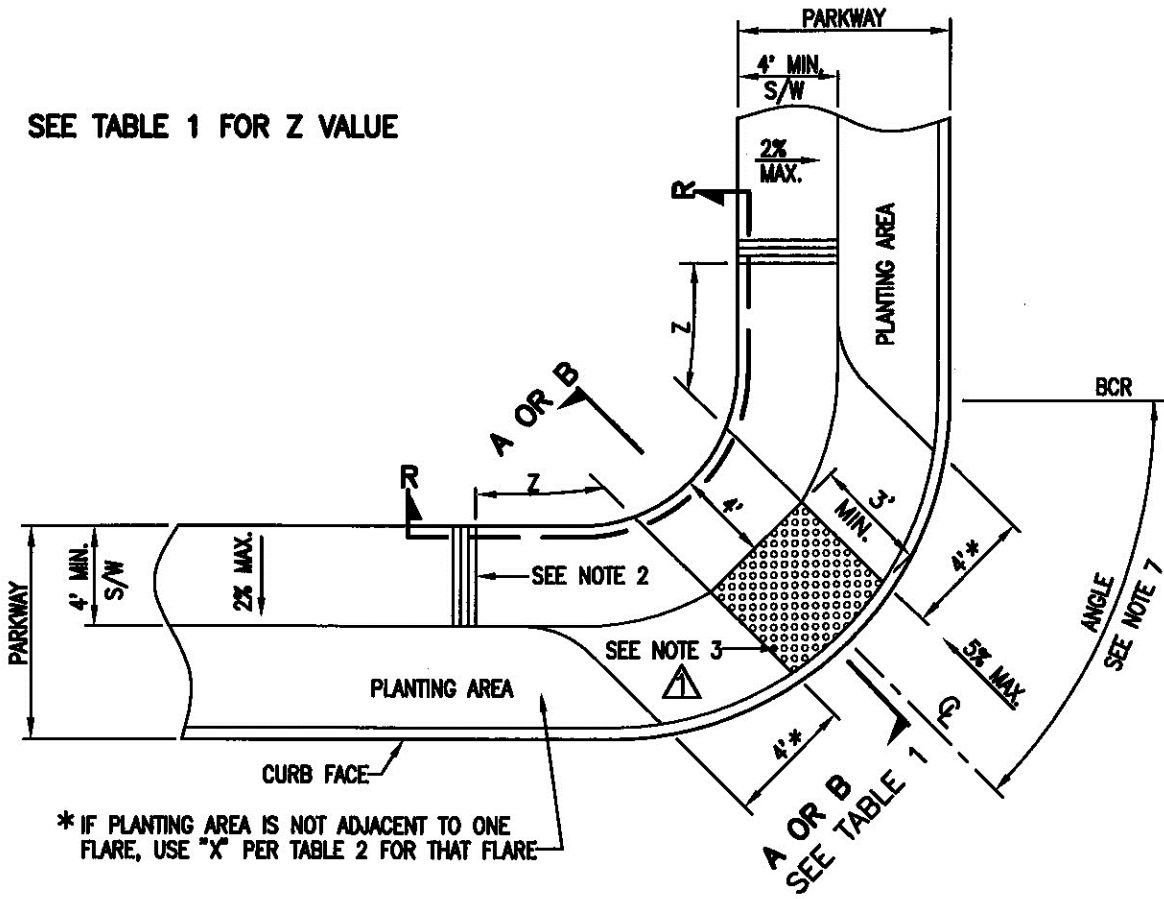
STANDARD PLAN 2002
 PLATE 110
 SHEET 2 OF 11



A OR B
SEE TABLE 1

TYPE 5

SEE TABLE 1 FOR Z VALUE



* IF PLANTING AREA IS NOT ADJACENT TO ONE FLARE, USE "X" PER TABLE 2 FOR THAT FLARE

TYPE 6

CASE A

REV.	APPR. BY	DATE

REV.	APPR. BY	DATE
	L. Balderrama	11-27-07



CURB RAMP

DRAWN: C. GIRON | CKD.: P. WENDT

Department of Public Works

APPR: *L. Balderrama*
L. Balderrama, PE, City Engineer

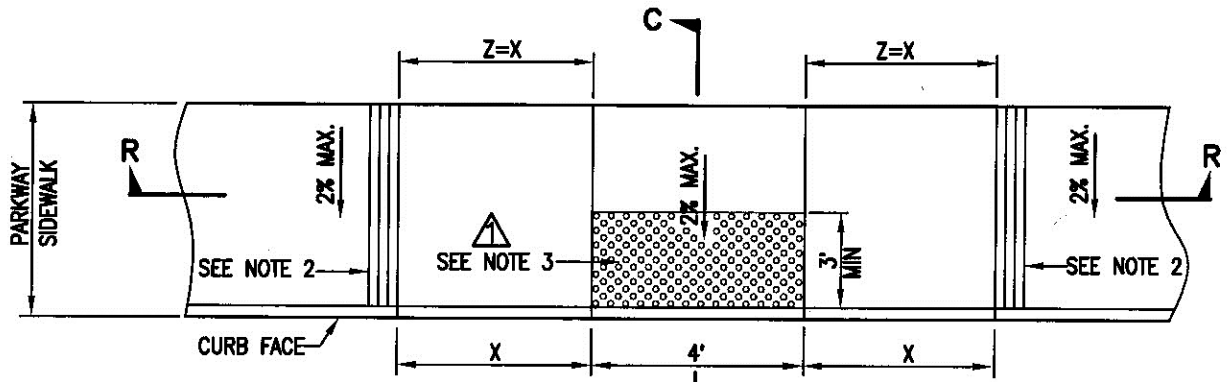
STANDARD PLAN
2002

PLATE 110

SHEET 3 OF 11

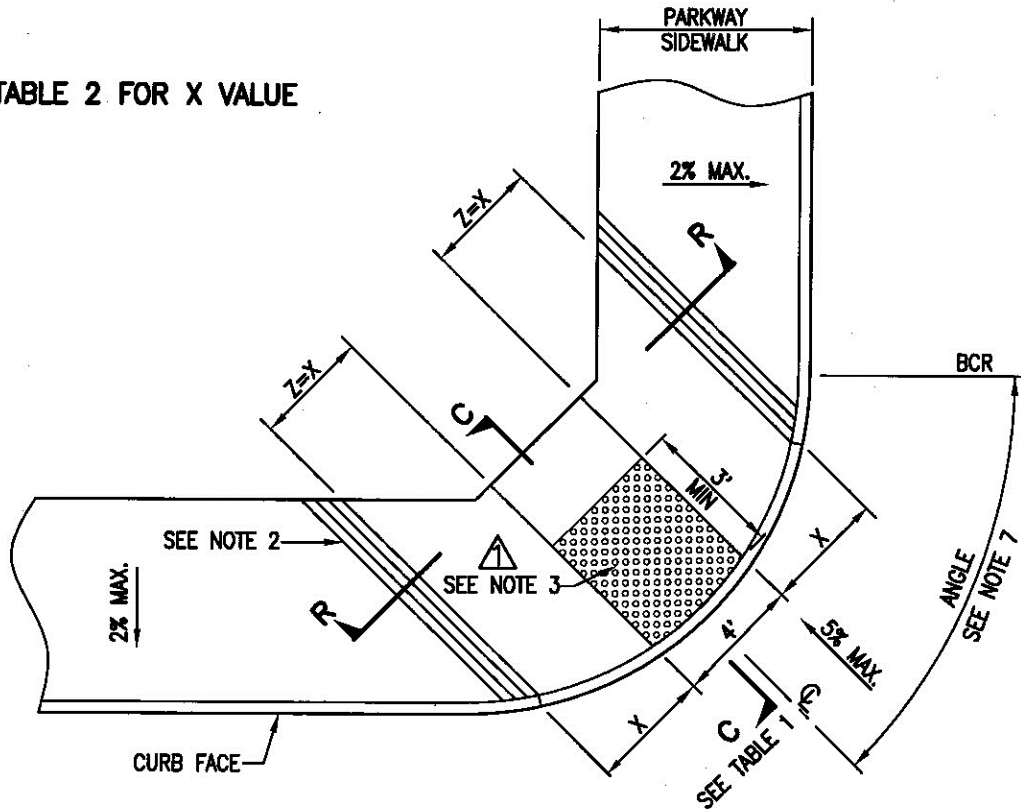
REV.	APPR. BY	DATE

REV.	APPR. BY	DATE
	Δ L. Balderrama	11-27-07



SEE TABLE 1
TYPE 1

SEE TABLE 2 FOR X VALUE



TYPE 2

CASE B



CURB RAMP

STANDARD PLAN
2002

DRAWN: A. ROQUE CKD.:
Department of Public Works

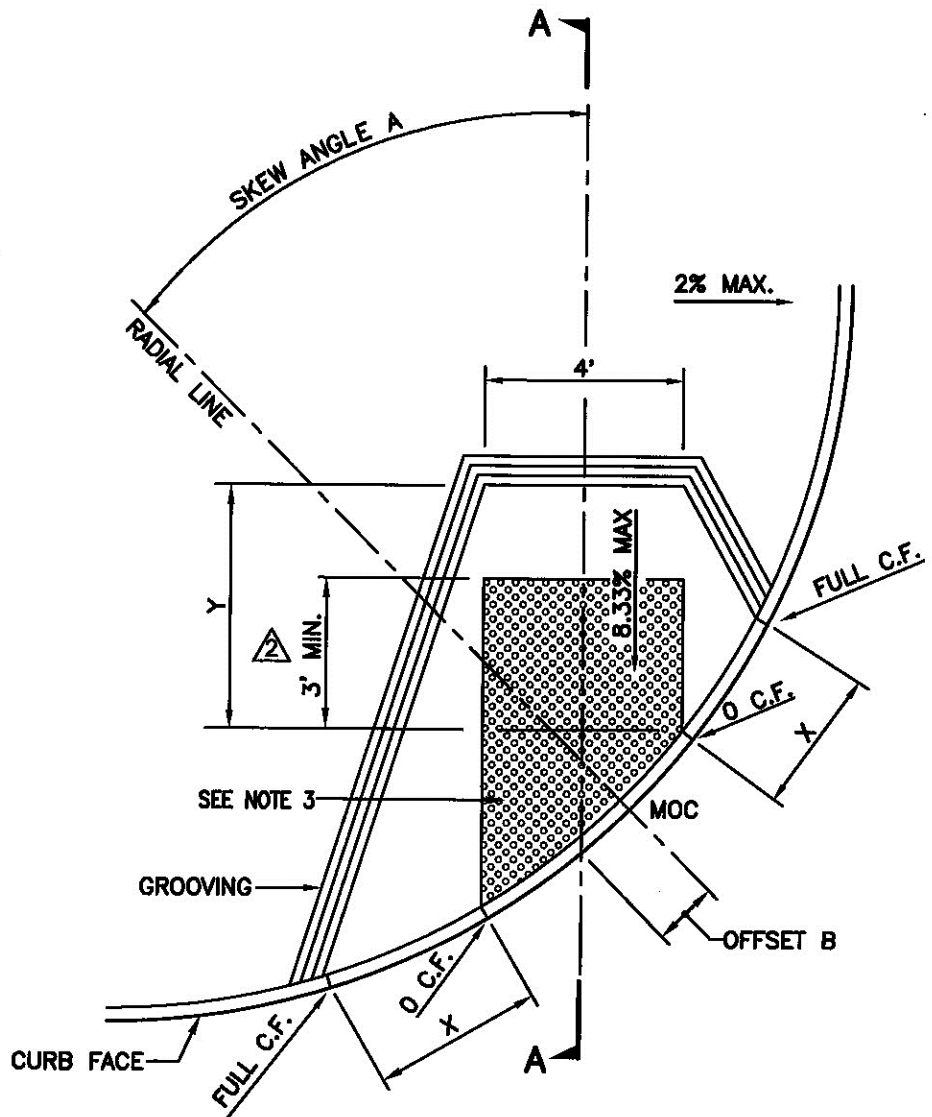
APPR. *L. Balderrama*
L. Balderrama, PE, City Engineer

PLATE 110

SHEET 4 OF 11

REV.	APPR. BY	DATE

REV.	APPR. BY	DATE
	L. Balderrama	11-27-07
	L. Balderrama	02-04-13



SKEW ANGLE $A=45^\circ$
 OFFSET $B=0$
 UNLESS OTHERWISE NOTED
 SEE TABLE 3 FOR Y VALUE
 SEE TABLE 2 FOR X VALUE

CASE C



CURB RAMP

STANDARD PLAN
2002

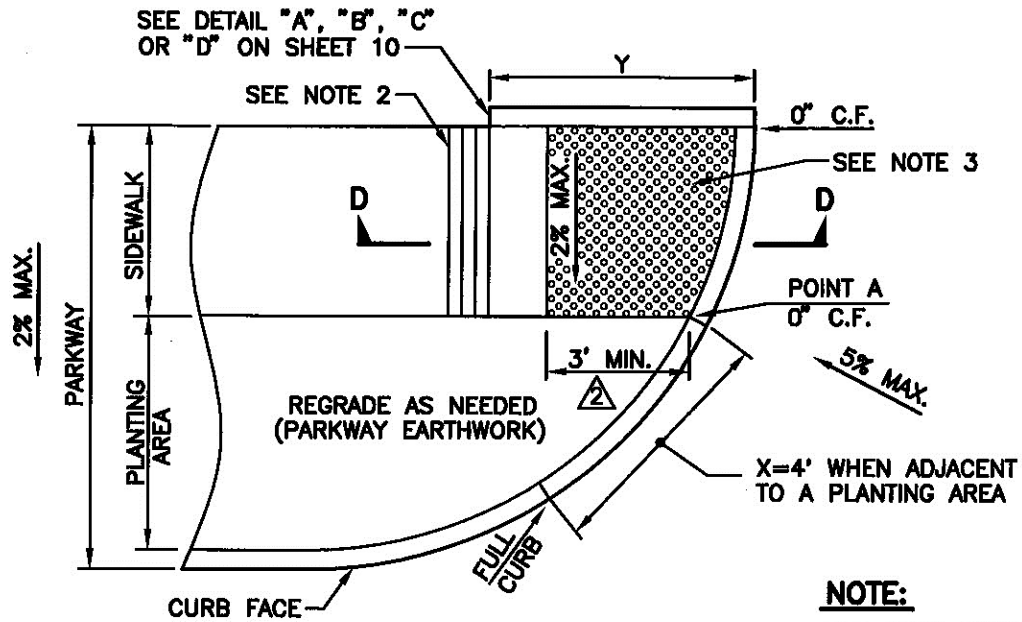
DRAWN: C. GIRON CKD.: P. WENDT

PLATE 110

Department of Public Works

APPR. 
L. Balderrama, PE, City Engineer

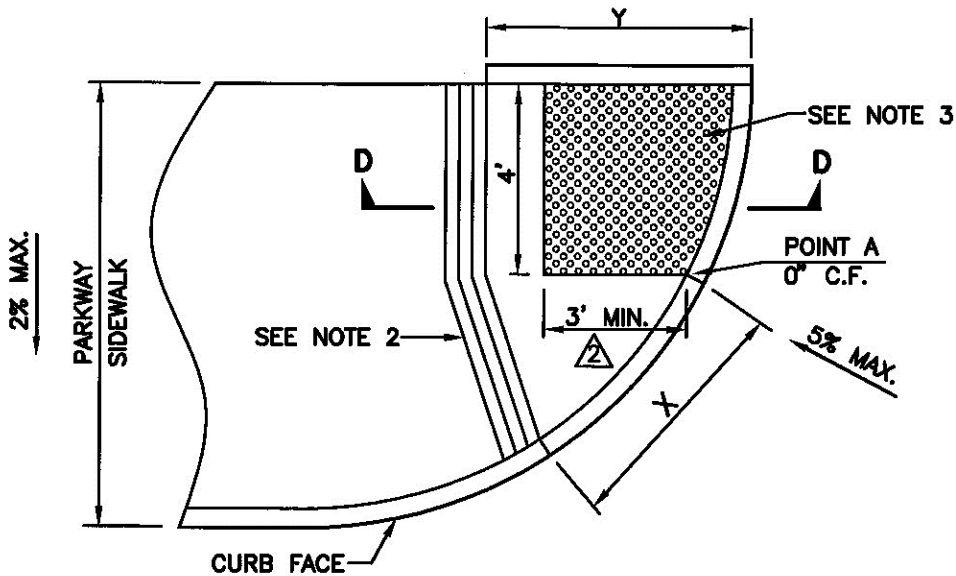
SHEET 5 OF 11



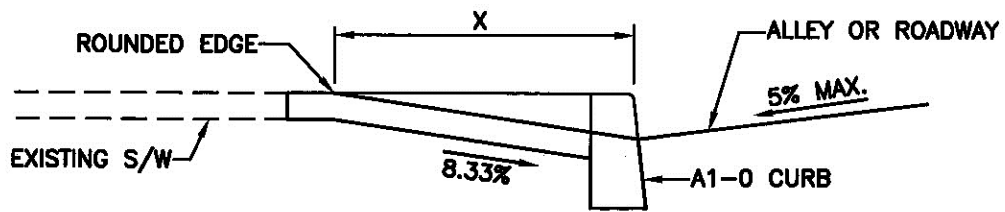
TYPE 1

NOTE:

USE CURB FACE AT POINT A TO DETERMINE X VALUE IN TABLE 2



TYPE 2



SECTION D-D

CASE D

REV.	APPR. BY	DATE

REV.	APPR. BY	DATE



CURB RAMP

DRAWN: C. GIRON | CKD.: P. WENDT

Department of Public Works

APPR. *[Signature]*
L. Balderrama, PE, City Engineer

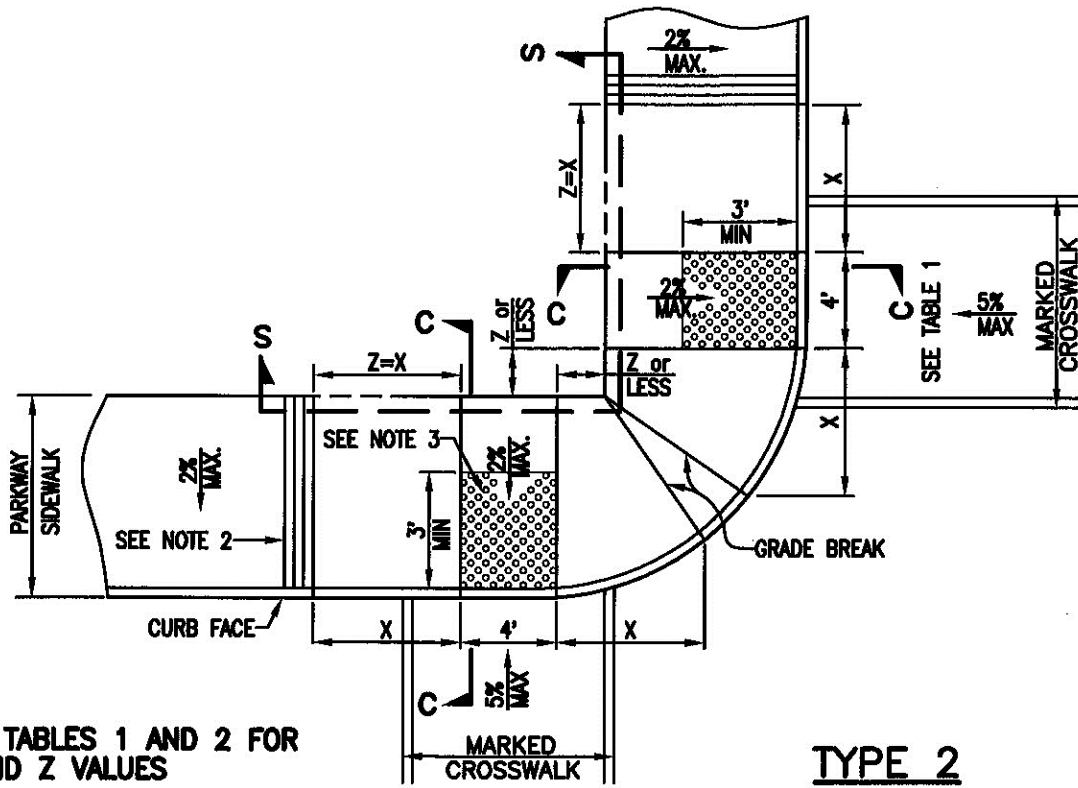
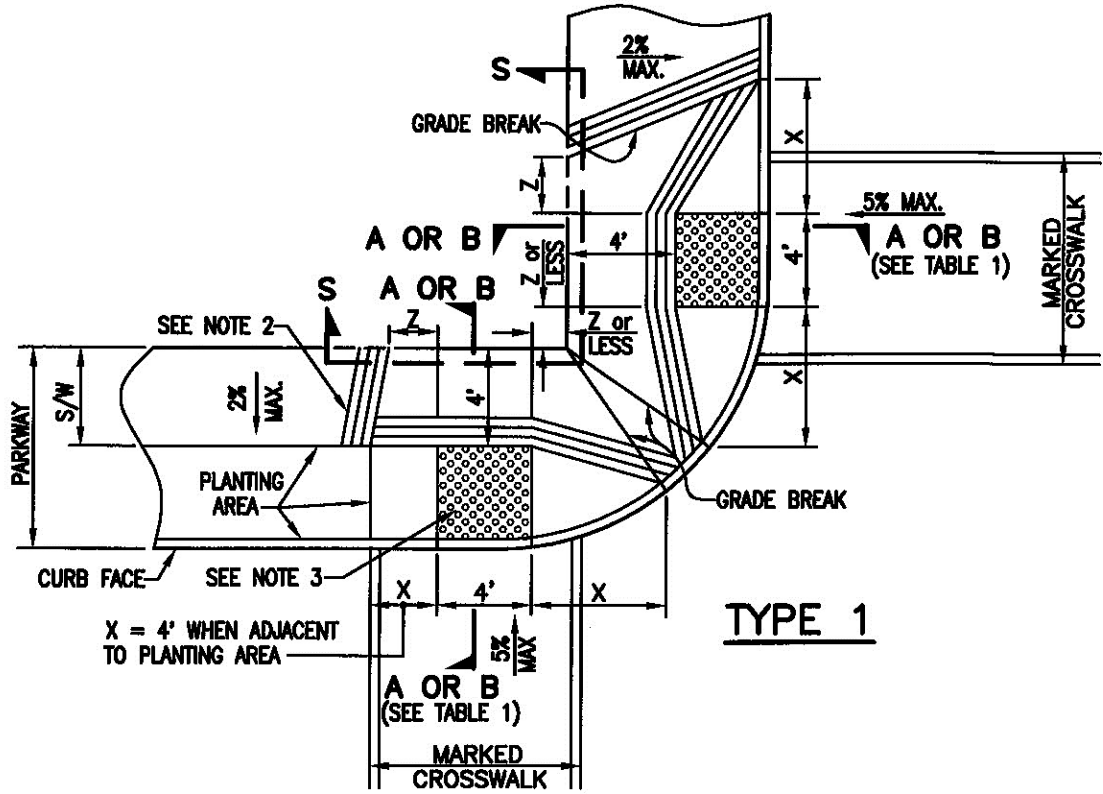
STANDARD PLAN 2002

PLATE 110

SHEET 6 OF 11

REV.	APPR. BY	DATE

REV.	APPR. BY	DATE
	L. Balderrama	11-27-07



SEE TABLES 1 AND 2 FOR X AND Z VALUES

TYPE 2

CASE E Δ



CURB RAMP

STANDARD PLAN
2002

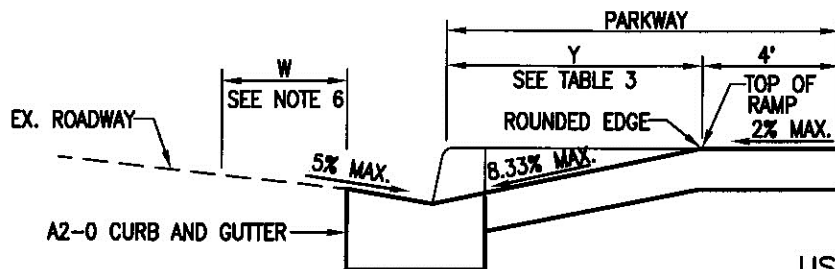
DRAWN: C. GIRON CKD.: P. WENDT

Department of Public Works

APPR. *L. Balderrama*
L. Balderrama, PE, City Engineer

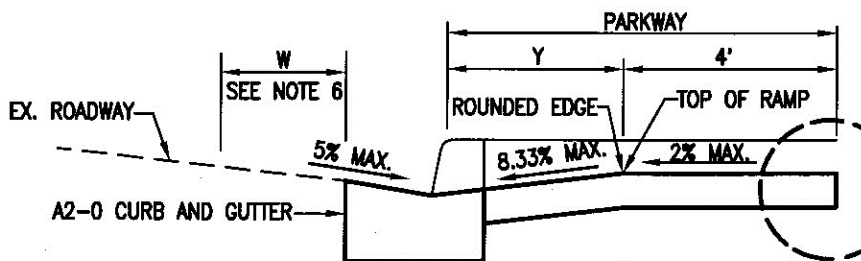
PLATE 110

SHEET 7 OF 11

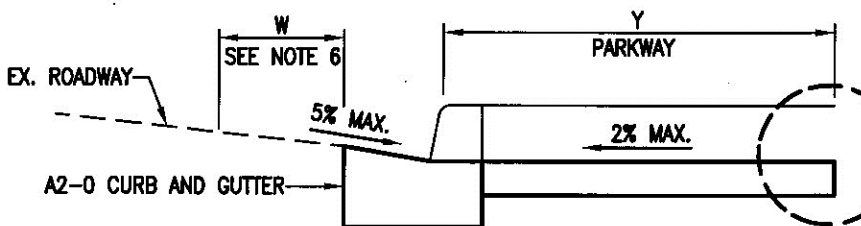


SECTION A-A

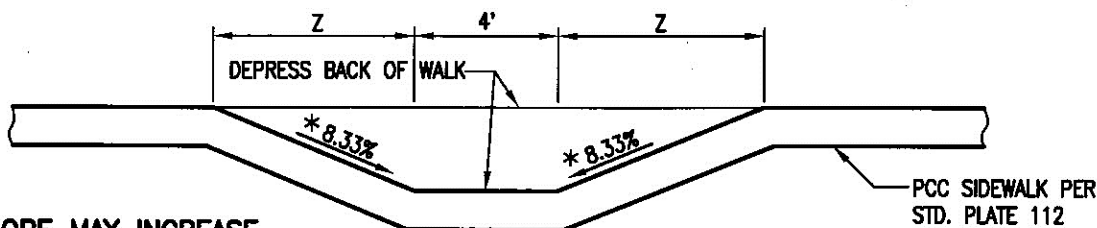
USE TABLE 1 TO DETERMINE WHICH OF SECTIONS A-A, B-B, OR C-C IS APPROPRIATE.



SECTION B-B

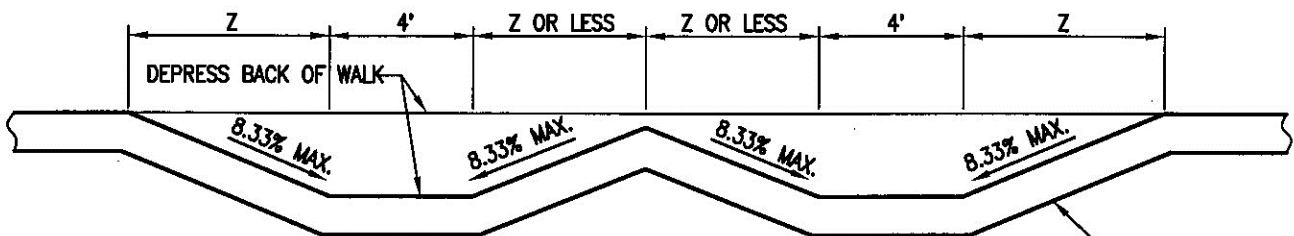


SECTION C-C



* SLOPE MAY INCREASE IF Z EXCEEDS 8'

SECTION R-R



SECTION S-S

REV.	APPR. BY	DATE

REV.	APPR. BY	DATE



CURB RAMP

STANDARD PLAN 2002

DRAWN: A. ROQUE CKD.: _____

Department of Public Works

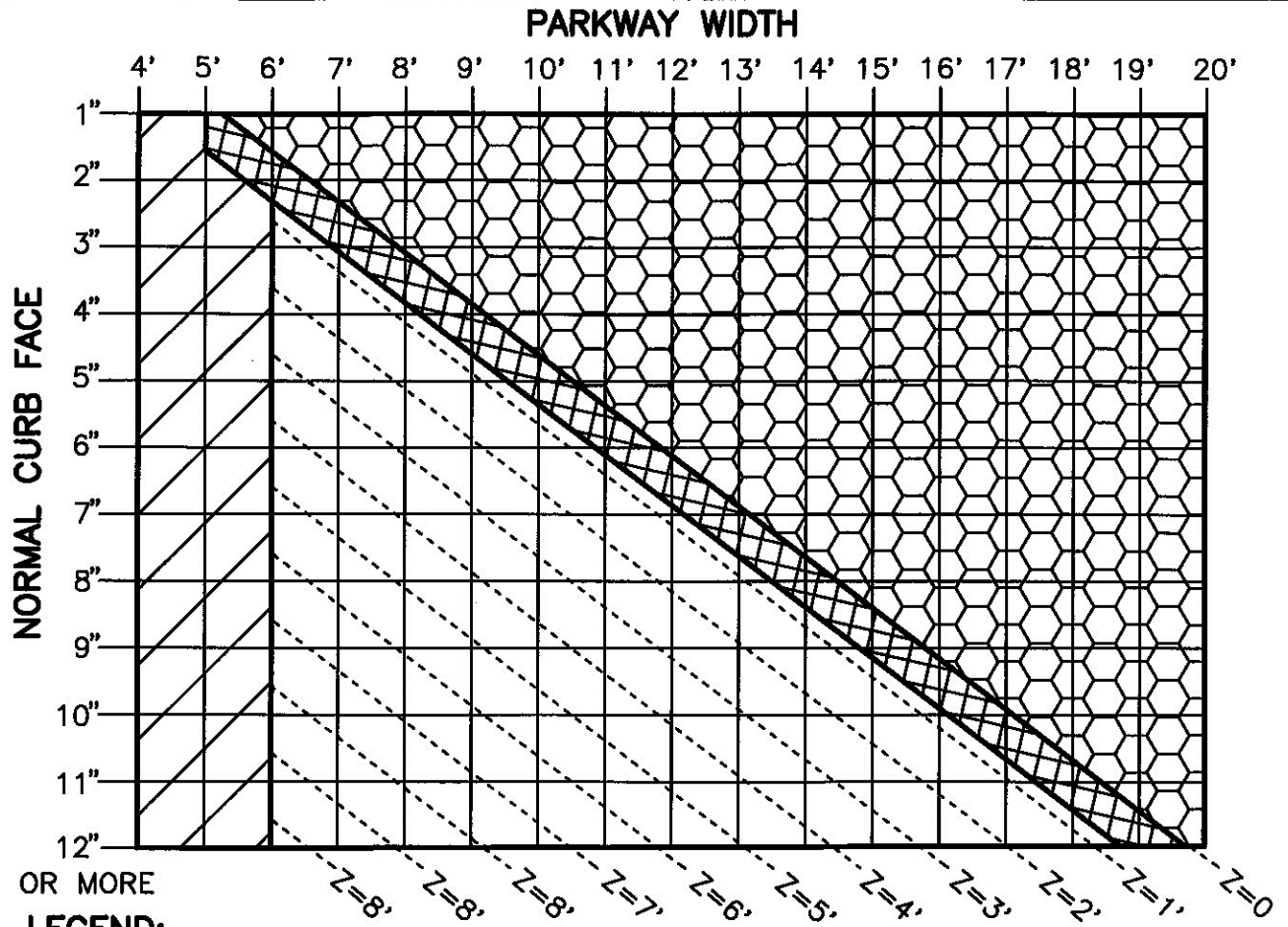
APPR. *L. Balderrama*
L. Balderrama, PE, City Engineer

PLATE 110

SHEET 8 OF 11

REV.	APPR. BY	DATE

REV.	APPR. BY	DATE
	L. Balderrama	11-27-07
	L. Balderrama	02-04-13



LEGEND:

- 
 SECTION A-A
LANDING = 4'
- 
 SECTION A-A
LANDING = 3'
- 
 SECTION C-C \triangle
- 
 SECTION B-B \triangle

TABLE 1 - SECTION USAGE & Z VALUES

NORMAL CURB FACE	X
4" OR LESS	48"
5"	60"
6"	72"
7"	84"
8"	96"
9"	108"
10"	120"
11"	132"
12"	144"

TABLE 2

NORMAL CURB FACE	SECTION A-A Y
2" OR LESS	32"
3"	47"
4"	63"
5"	79"
6"	95"
7"	111"
8"	126"
9"	142"
10"	158"
11"	174"
12" OR MORE	190"

TABLE 3

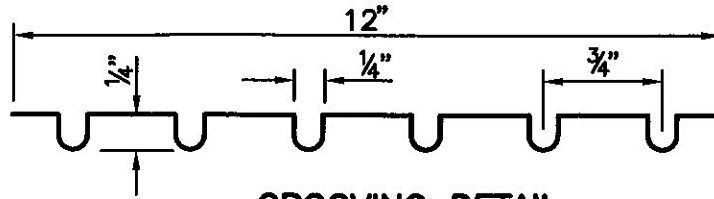


CURB RAMP

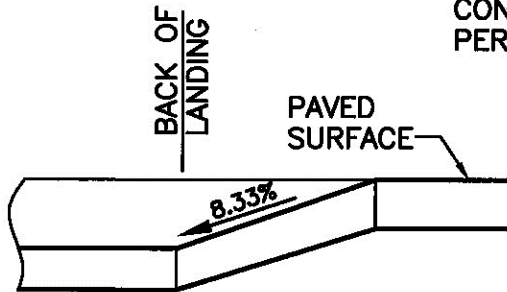
DRAWN: C. GIRON CKD.: P. WENDT
 Department of Public Works

APPR. 
 L. Balderrama, PE, City Engineer

STANDARD PLAN
 2002
PLATE 110
 SHEET 9 OF 11

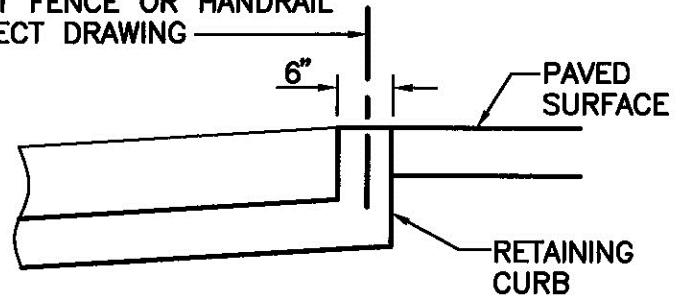


GROOVING DETAIL

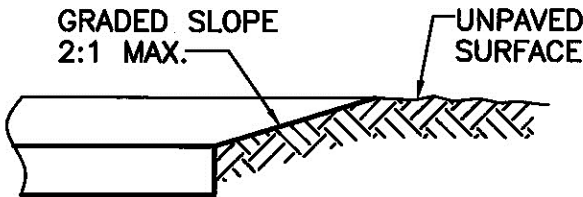


DETAIL "A"

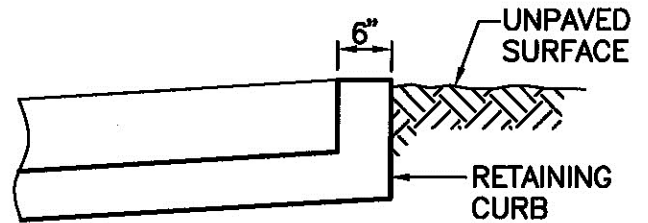
CONSTRUCT FENCE OR HANDRAIL PER PROJECT DRAWING



DETAIL "B"



DETAIL "C"



DETAIL "D"

REV.	APPR. BY	DATE

REV.	APPR. BY	DATE

DELETED TRUNCATED DOME DETECTABLE WARNING SURFACE DETAIL



CURB RAMP

STANDARD PLAN 2002

DRAWN: C. GIRON CKD.: P. WENDT

PLATE 110

Department of Public Works

APPR. *[Signature]*
L. Balderrama, PE, City Engineer

SHEET 10 OF 11

GENERAL NOTES:

- △ 1. CONCRETE SHALL BE CLASS 310-C-17 (520-C-2500) AND SHALL BE 4" THICK.
- 2. THE RAMP SHALL HAVE A 12" WIDE BORDER WITH 1/4" GROOVES APPROXIMATELY 3/4" O.C. SEE GROOVING DETAIL.
- △ 3. CURB RAMPS WITHIN THE PUBLIC RIGHT-OF-WAY OR IN A PUBLIC SIDEWALK EASEMENT SHALL HAVE A DETECTABLE WARNING THAT EXTENDS 36" MINIMUM IN THE DIRECTION OF TRAVEL FOR THE FULL WIDTH OF THE CURB RAMP, EXCLUDING THE FLARED SIDES. DETECTABLE WARNING SURFACE FOR RAMPS OUTSIDE OF PUBLIC RIGHT-OF-WAY OR PUBLIC SIDEWALK EASEMENT SHALL COMPLY WITH THE CALIFORNIA BUILDING CODE. DETECTABLE WARNING SURFACE SHALL BE ARMOR-TILE TACTILE SYSTEMS PRODUCT (CAST-IN-PLACE), FEDERAL YELLOW IN COLOR OR APPROVED EQUAL.
- 4. USE DETAIL "A" OR "B" IF EXISTING SURFACE BEHIND RIGHT OF WAY IS PAVED.
- 5. USE DETAIL "C" OR "D" IF EXISTING SURFACE BEHIND RIGHT OF WAY IS UNPAVED.
- 6. W = 3' UNLESS OTHERWISE SHOWN ON PLAN. THIS AREA MAY NOT EXCEED 5% LONGITUDINAL SLOPE.
- 7. ANGLE = $\Delta/2$ UNLESS OTHERWISE SHOWN ON PLAN.

REV.	APPR. BY	DATE
△	L. Balderrama	02-04-13

REV.	APPR. BY	DATE
△	L. Balderrama	11-27-07
△	L. Balderrama	08-10-10



CURB RAMP

DRAWN: C. GIRON CKD.: P. WENDT

Department of Public Works

APPR. *[Signature]*
L. Balderrama, PE, City Engineer

STANDARD PLAN
2002

PLATE 110

SHEET 11 OF 11