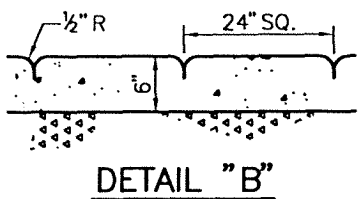
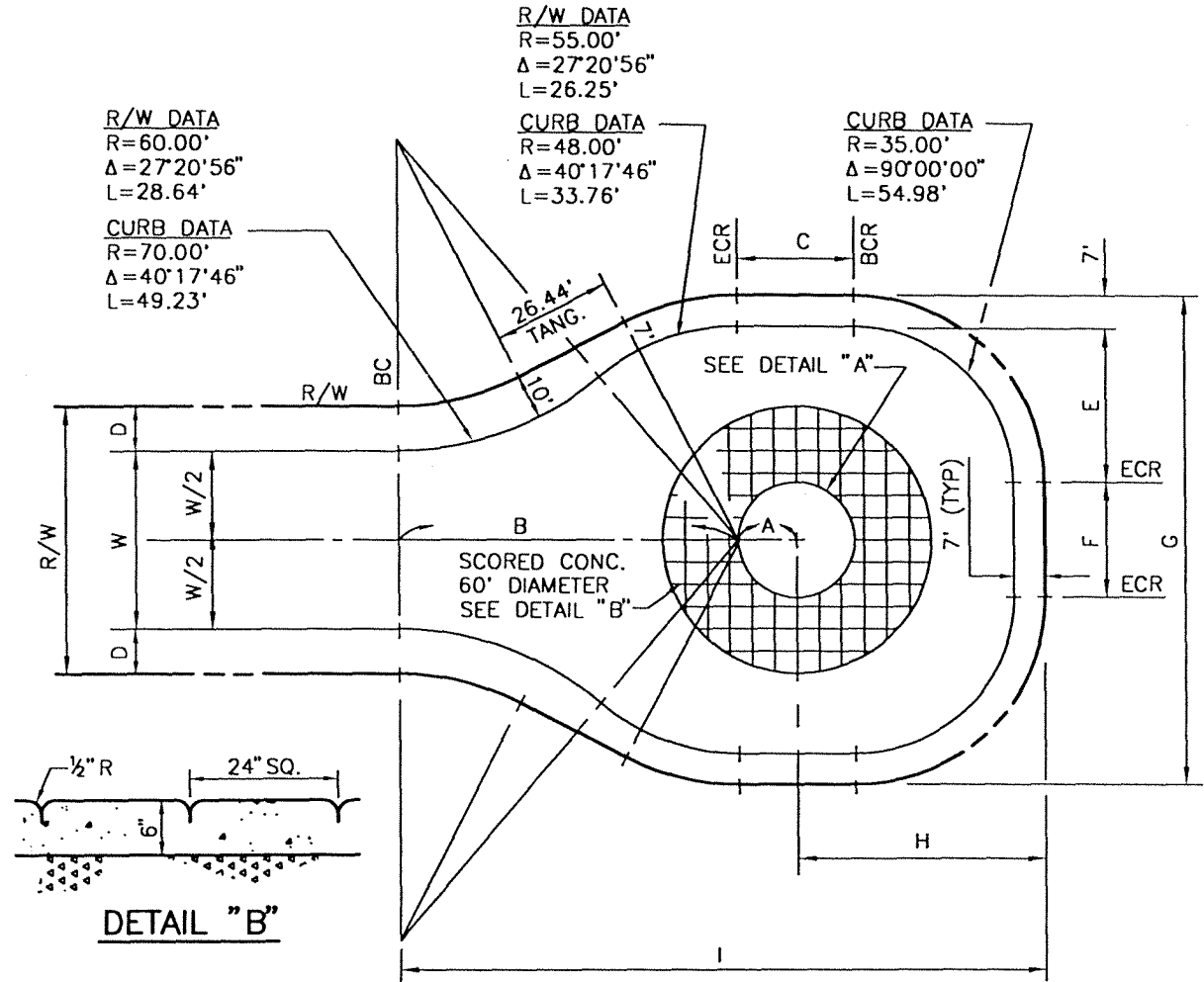


REV.	APPR. BY	DATE

REV.	APPR. BY	DATE



R/W	W/2	W	A	B	C	D	E	F	G	H	I
60'	20'	40'	13'	76.32'	26'	10'	35'	26'	110'	55'	144.32'

NOTES:

1. APPLY WEED KILLER AT ALL COLD JOINTS, BETWEEN ASPHALT & CURB AND CURB & SIDEWALK.
2. SIDEWALK AT ALL DRIVEWAYS MUST MEET DISABLED ACCESS REQUIREMENT OF 2% MAX. CROSSFALL.

