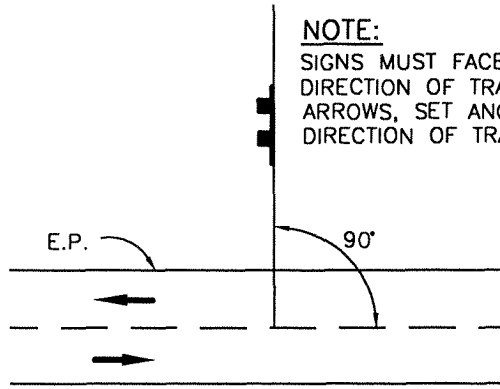


REV.	APPR. BY	DATE

REV.	APPR. BY	DATE

NOTE:

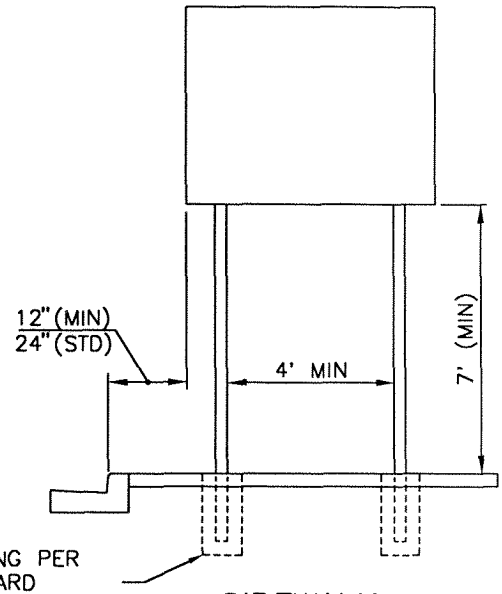
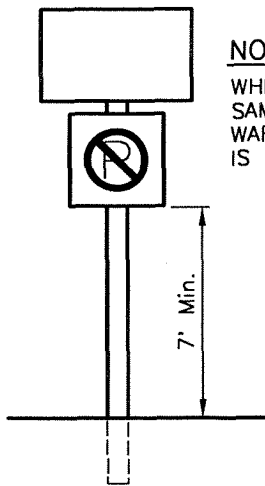
SIGNS MUST FACE APPROXIMATELY 90° FROM DIRECTION OF TRAFFIC. FOR PARKING SIGNS WITH ARROWS, SET ANGLE BETWEEN 30-45° TO THE DIRECTION OF TRAVEL.



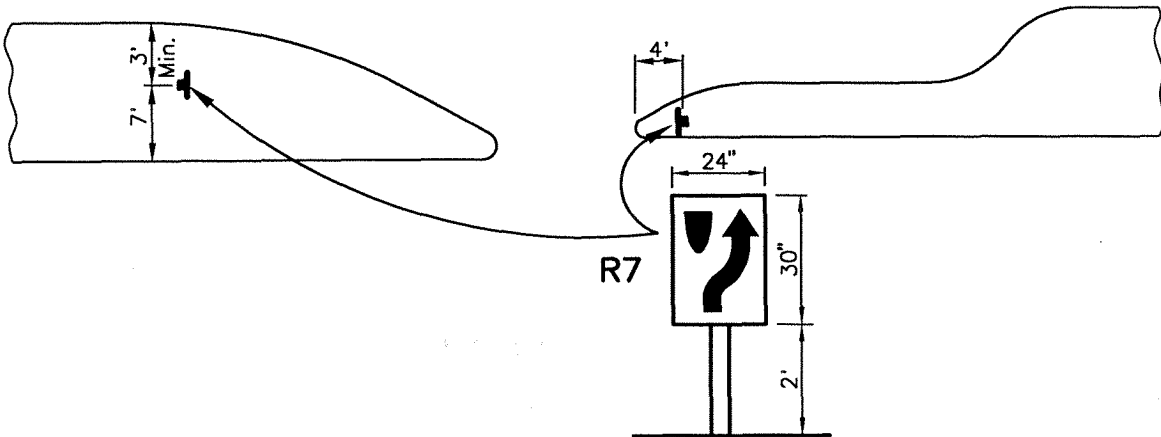
PLAN VIEW

NOTE:

WHEN A PARKING SIGN IS ON THE SAME POLE AS A REGULATORY OR WARNING SIGN, THE PARKING SIGN IS TO BE BELOW.



SIDEWALK



MAY BE POSTED ON STREET LIGHT WITHIN 25 FEET OF END OF ISLAND



SIGN POSITION AND PLACEMENT

DRAWN: A. Roque CKD.: E. Hipolito

Department of Public Works

APPR. *[Signature]* 1-6-86
L. Bolderrama, City Engineer

STANDARD PLAN 2002

PLATE 204

SHEET 1 OF 1