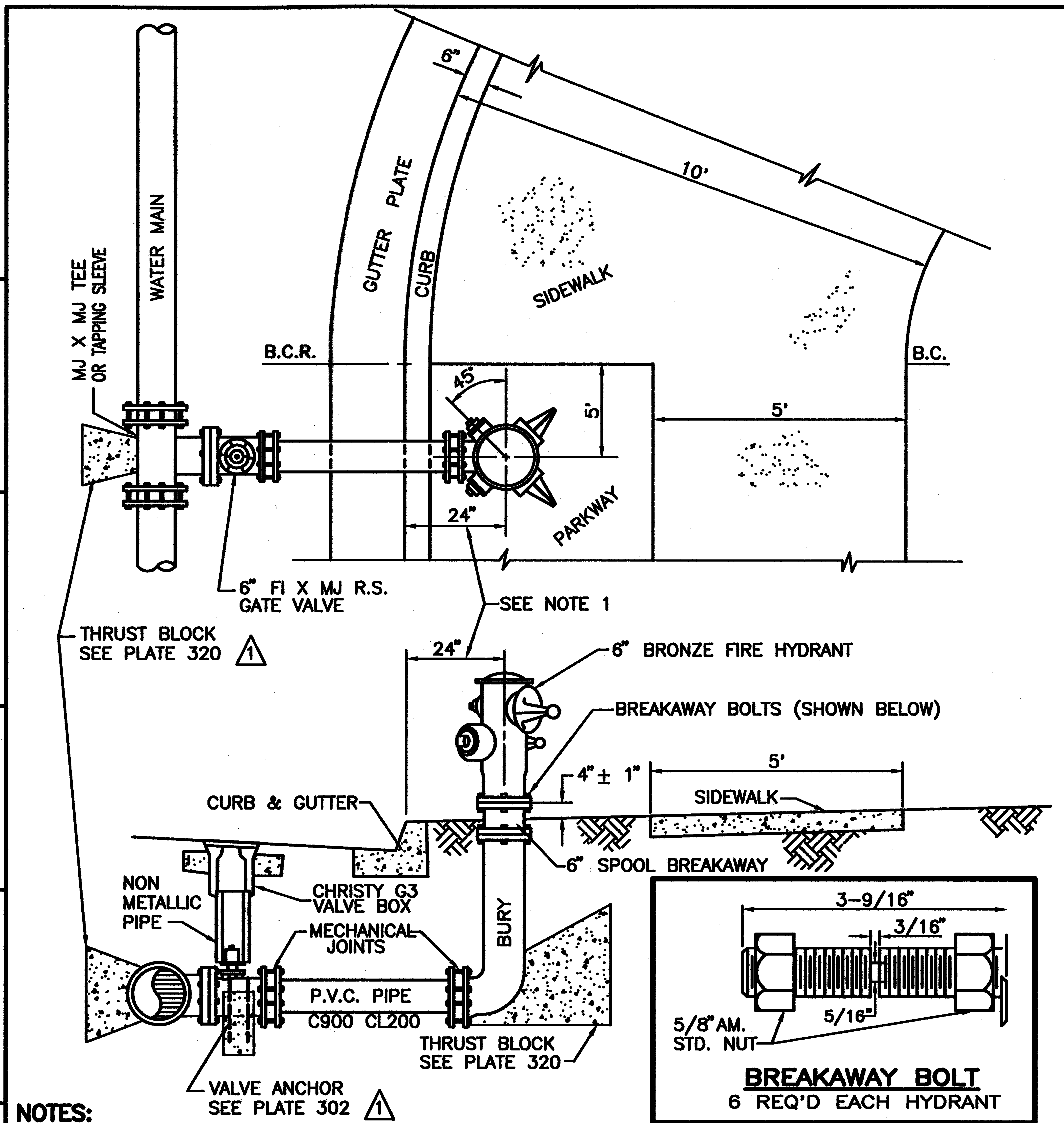


REV.	APPR. BY	DATE

REV.	APPR. BY	DATE



NOTES:

1. IF SIDEWALK IS ADJACENT TO CURB AND 5' OR LESS IN WIDTH, THEN F.H. SHALL BE PLACED 18" FROM FACE OF CURB.
2. ALL BREAKAWAY BOLTS SHALL BE CADMIUM PLATED. ALL BELOW GRADE BOLTS TO BE STAINLESS STEEL.
3. REFER TO GENERAL REQUIREMENT SECTION FOR PAINT REQUIREMENTS.
4. ALTERNATE FIRE HYDRANT LOCATIONS MAY BE APPROVED BY CITY ENGINEER.
5. COPPER LOCATION WIRE REQUIRED.
6. BLUE REFLECTIVE PAVEMENT MARKERS REQUIRED PER PLATE 202.
7. RESTRAINED JOINTS MAY BE SUBSTITUTED IN LIEU OF THRUST BLOCKS. RESTRAINED JOINTS SHALL BE MANUFACTURED BY ROMAC INDUSTRIES OR APPROVED EQUAL.

	DETAILS FOR FIRE HYDRANT INSTALLATION		STANDARD PLAN 2002
	DRAWN: STAFF	CKD.: STAFF	PLATE 300
Department of Public Works		APPR. L. Balderrama, PE, City Engineer	SHEET 1 OF 1