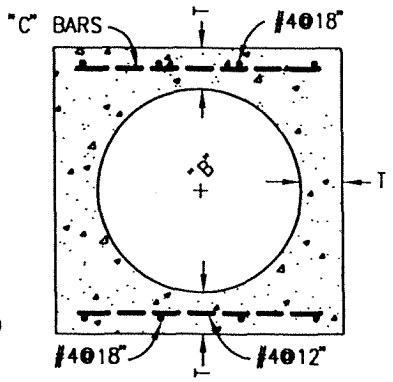


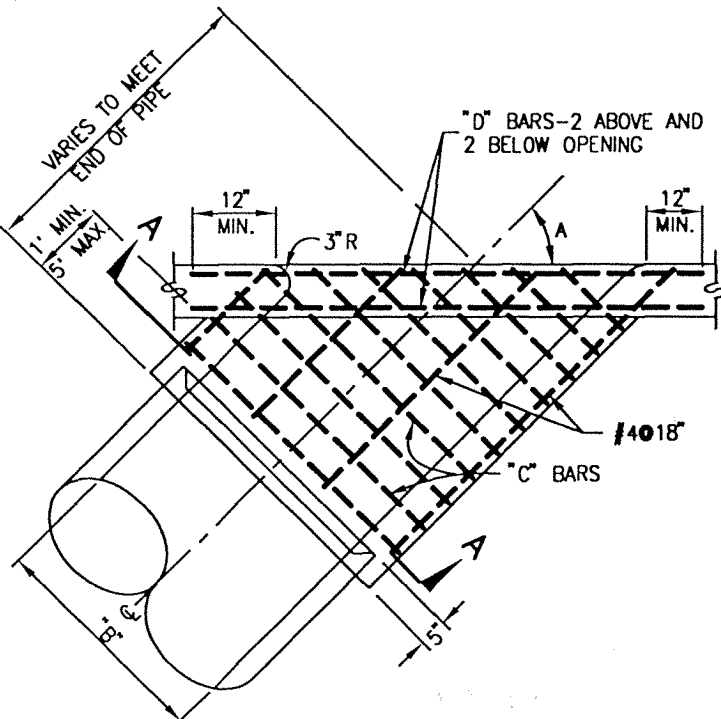
**PLAN
CORNER CONNECTION**



SECTION A-A

STRUCTURAL DATA							
B	T	C BARS	D&E BARS	B	T	C BARS	D&E BARS
12"	4"	#4 @ 6"	#5	42"	7½"	#5 @ 6"	#6
15"	4¼"			45"	7¾"		
18"	4½"			48"	8"		
21"	5"			51"	8½"		
24"	5¼"			54"	9"		
27"	5½"			57"	9¼"		
30"	6"			60"	9½"		
33"	6¼"			63"	10"		
36"	6½"			66"	10¼"		
39"	7"			69"	10¾"		
				72"	11"		

FOR "B" GREATER THAN 72", SEE PROJECT PLAN



**PLAN
SIDE CONNECTION**

NOTES:

1. REINFORCING STEEL SHALL BE 1½" CLEAR FROM FACE OF CONCRETE UNLESS OTHERWISE SHOWN.
2. REINFORCING STEEL FOR INSIDE FACE OF CATCH BASIN WALL SHALL BE CUT AT CENTER OF OPENING AND BENT INTO WALLS OF MONOLITHIC CONNECTION. REINFORCING STEEL FOR OUTSIDE FACE OF CATCH BASIN WALL SHALL BE CUT 2" CLEAR OF OPENING.
3. CONNECTION SHALL BE POURED MONOLITHIC WITH CATCH BASIN. THE ROUNDED EDGE OF OUTLET SHALL BE CONSTRUCTED BY POURING CONCRETE AGAINST A CURVED FORM WITH A RADIUS OF 3'.
4. FLOOR OF STRUCTURE SHALL BE STEEL-TROWELED TO SPRING LINE.
5. CONNECTIONS SHALL BE CONSTRUCTED WHEN:
 - (A) PIPE INLET OR OUTLET IS THROUGH CORNER OF CATCH BASIN.
 - (B) ANGLE A, FOR PIPES UP TO 30" IN DIA., IS LESS THAN 70° OR GREATER THAN 110°.

REV.	APPR. BY	DATE

REV.	APPR. BY	DATE

	CITY OF Oxnard		MONOLITHIC CATCH BASIN CONNECTION		STANDARD PLAN 2002
	DRAWN: STAFF	CKD.: STAFF <i>LB</i>	APPR. <i>Granville M. Bowman</i> Granville M. Bowman		PLATE 508
Department of Public Works					SHEET 1 OF 1