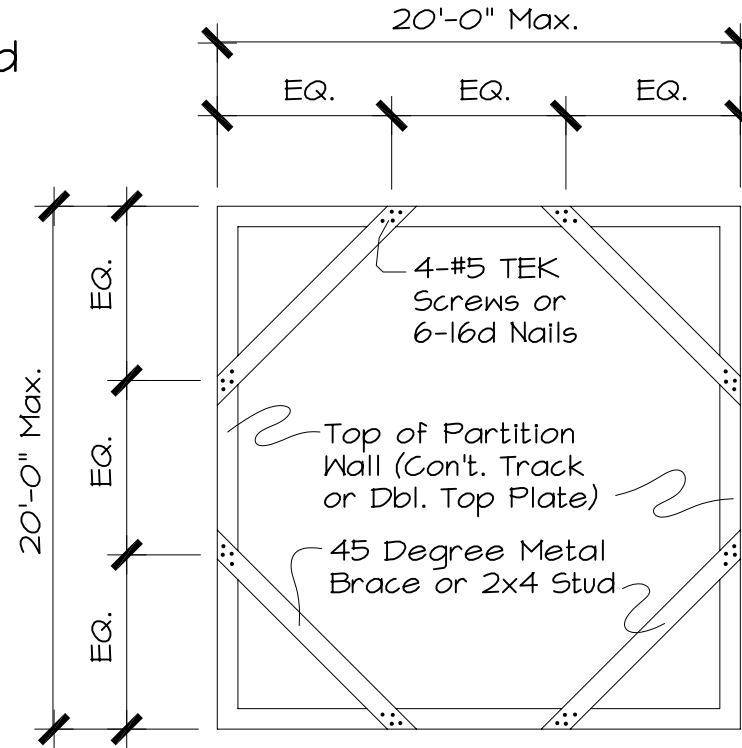
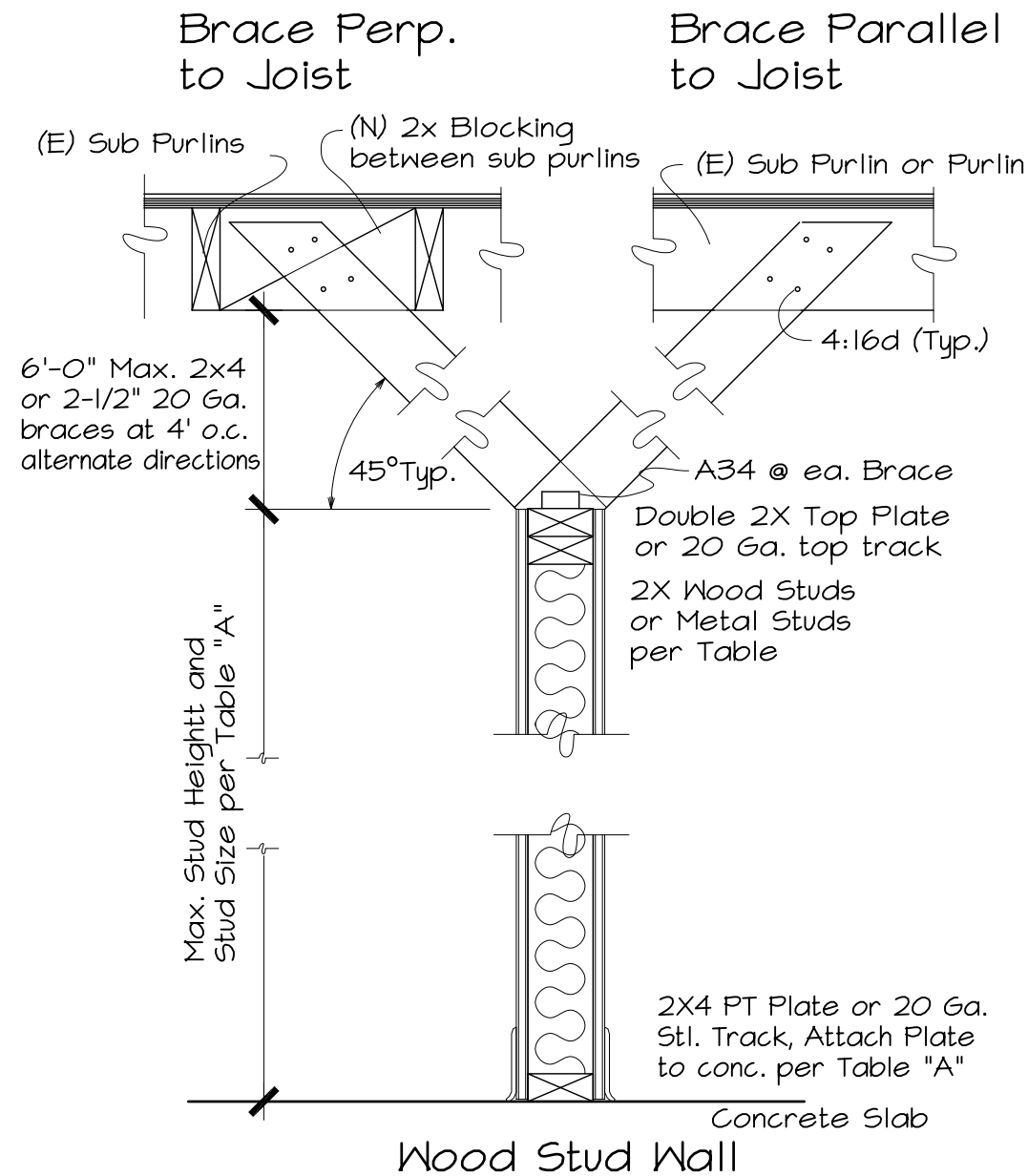


Full Height Mtl. Stud

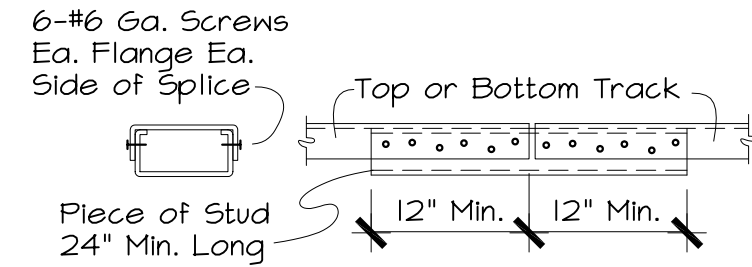
Full Height Wood Stud

Partition Standards For Commercial Tenant Improvements

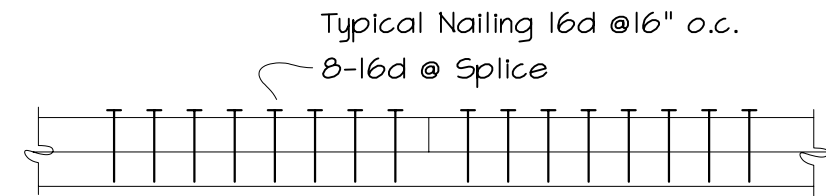
1. Minimum partition components to be per steel and wood stud tables below with 1/2" drywall on both sides. 5/8" type "X" drywall is required for 1 hour fire resistive construction.
2. Minimum bracing shall consist of 2-1/2" metal studs installed at 4' on center, 45 degrees or less from the horizontal from top track or plate to structure above. Bracing is required where the horizontal span (perpendicular to the plane of the wall) is 8' or greater from support to support. Maximum distance from top of partition to structure above is 6'.



Alt. Bracing Detail



Steel Track Splice



Wood Top Plate Splice

TABLE "A"-Maximum Stud Height

Stud Height	Wood Studs	Metal Studs Size		Plate Nailing
		12" o.c.	16" oc.	
10'-0"	2x4@16"	2-1/2" 25 GA	3-1/2" 25 GA	3'-0" o.c.
12'-0"	2x6@16"	2-1/2" 25 GA	3-1/2" 25 GA	2'-6" o.c.
14'-0"	2x6@16"	3-1/2" 20 GA	3-1/2" 20 GA	2'-3" o.c.
-		3-1/2" 20 GA	6" 24 GA	2'-3" o.c.
16'-0"		6" 24 GA	4" 20 GA	2'-0" o.c.
18'-0"		4" 20 GA	5-1/2" 20 GA	1'-9" o.c.
20'-0"		5-1/2" 20 GA	6" 20 GA	1'-6" o.c.
22'-0"		5-1/2" 18 GA	6" 18 GA	1'-3" o.c.
26'-0"		8" 18 GA	8" 18 GA	1'-0" o.c.

Western Metal Studs ICC No. 2274
Angeles Metal Systems ICC No. 1715

Products for Power Driven Fasteners for Plate Nailing

Manufacture	Product	ICC No.
Ramset/Red Head	1500, 1600 & 1900	1639
Simpson Strong Tie	PHN22 Steel Plate PHN72 Wood Plate	4546
Remington	SP125, SP300 SP SP300, SPW300 WP	5067
Hilti	0.145 dia w/ 1" Embed.	2388

All pins shall have a diameter of 0.145", and be of sufficient length to provide 1" embedment into concrete, shall be placed with 6" from plate ends and shall have 3/4" diameter steel washers.



DEVELOPMENT SERVICES

Project Title: _____
Project Address: _____
Project Owner and Address: _____

Detail of Interior Non-Bearing Partitions Metal and Wood Stud

D-1

SHEET OF

The information provided on this sheet is a summary of specific code requirements and is provided to assist in understanding and complying with the code. Completeness of the plans and code compliance remains the responsibility of the applicant.

Date: October 7, 2004 c:\stevie\handouts\1851\partition detail.dwg