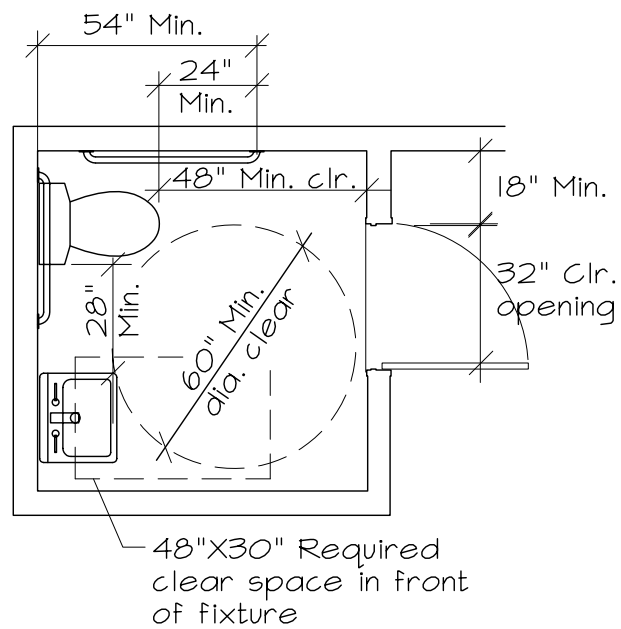
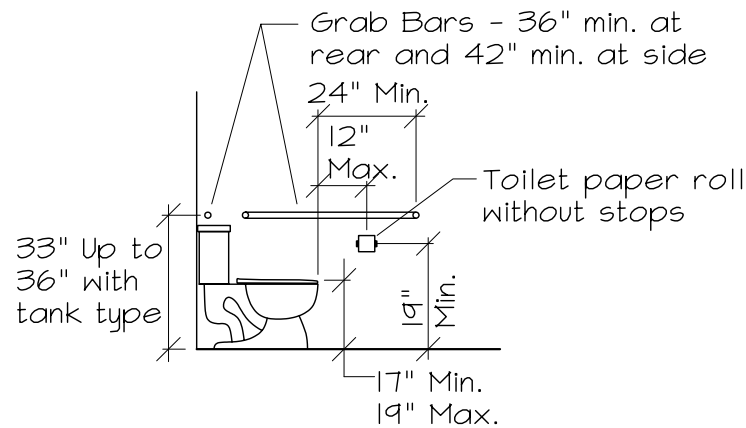


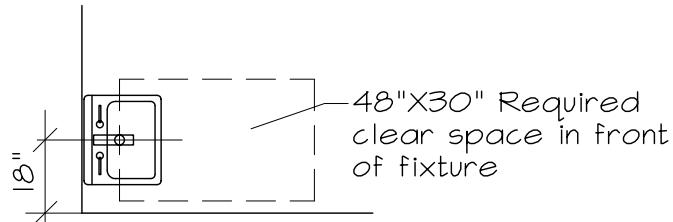
STALL PLAN



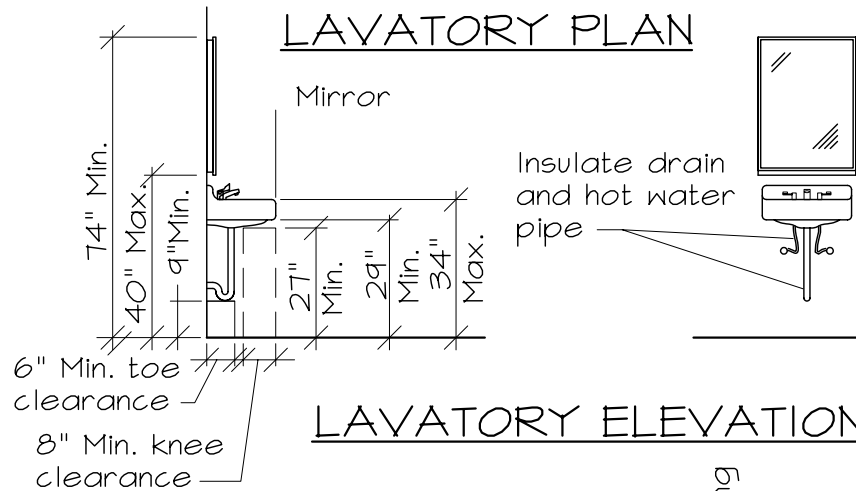
SINGLE ACC. PLAN



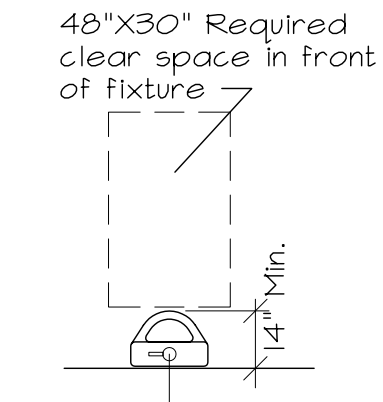
TOILET ELEVATION



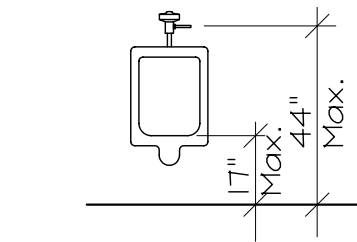
LAVATORY PLAN



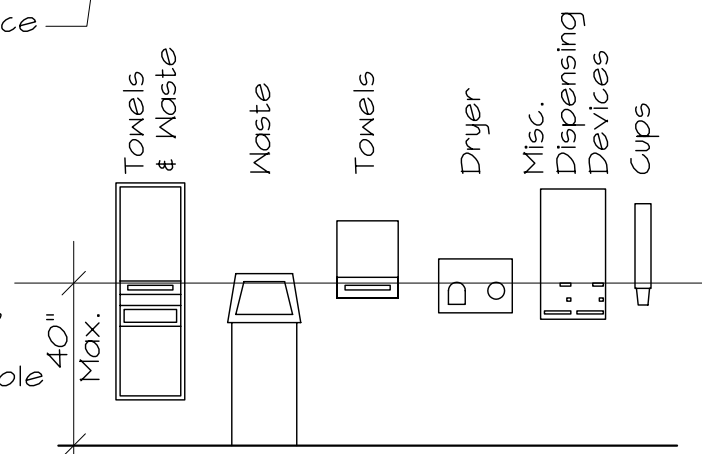
LAVATORY ELEVATION



URINAL PLAN



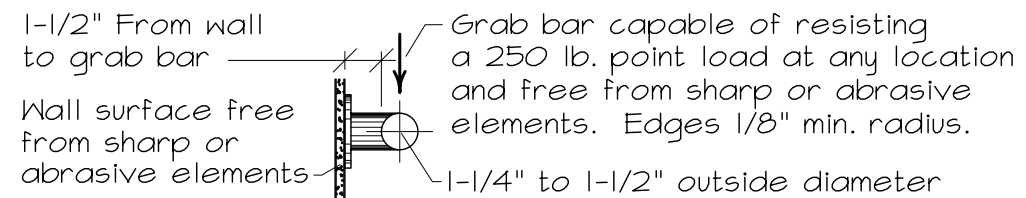
URINAL ELEVATION



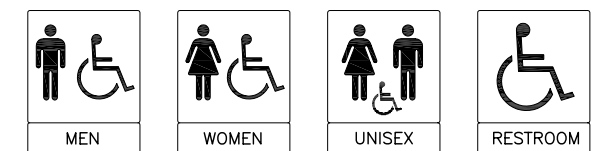
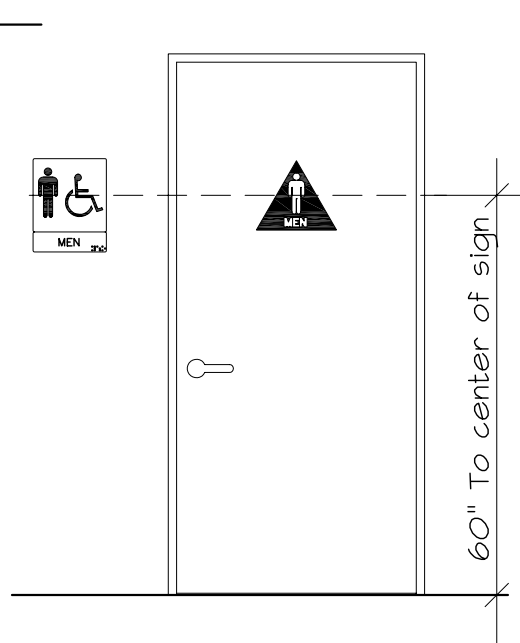
DISPENSER ELEVATIONS

ACCESSIBLE RESTROOM NOTES

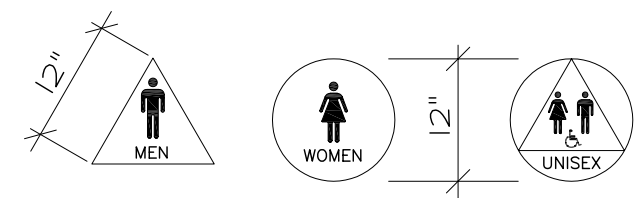
- Where separate facilities are provided for non-disabled persons of each sex, separated facilities shall be provided for persons with disabilities of each sex also.
- Where facilities are to be used by small children, the specific heights may be adjusted to meet their accessibility needs.
- Faucet controls and operating mechanisms shall be operable with one hand and shall not require tight grasping, pinching, or twisting of the wrist (i.e. use lever-operated, push-type, etc.). The force to activate controls shall not exceed 5 lbs. Self-closing valves are allowed if the faucet remains open for at least 10 seconds.
- The force required to activate the flush valve shall be 5 lbs. maximum and located 44" maximum above the floor.
- Stall doors shall be equipped with an automatic-closing device, and shall have a clear, unobstructed opening of 32" when located at the end and 34" when located at the side with the door positioned at an angle of 90 degrees from its closed position.
- The inside and outside of the stall door shall be equipped with a loop or "U"-shaped handle immediately below the latch. The latch shall be flip-over style, sliding, or other hardware not requiring the user to grasp or twist.
- Where 6 or more stalls are provided within a multiple accommodation toilet room, at least one additional stall shall comply with Section III5B.7.1.2 and II5B7.1.3.



ACCESSIBLE GRAB BARS



WALL SIGNAGE (TYPICAL)



DOOR SIGNAGE (TYPICAL)

Signs shall be 1/4" thick, with lettering raised 1/32", uppercase letters, between 5/8" to 2" high, and contrasting color. Wall signs shall be located on the latch side with corresponding grade II Braille.



Project Title:
Project Address:
Project Owner and Address:

Standard Accessibility Details and Notes for Handicapped Restrooms