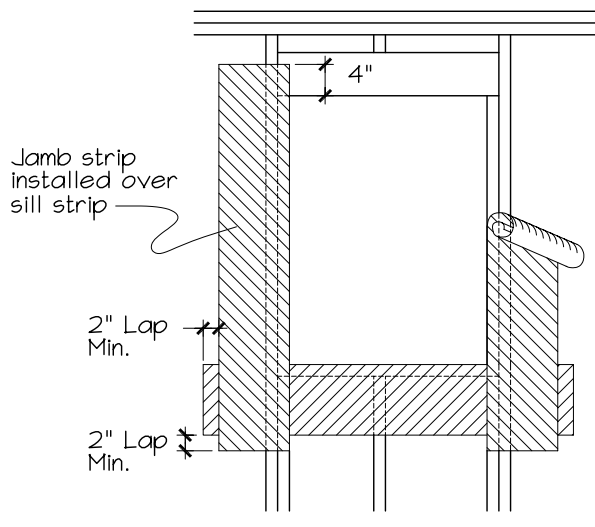


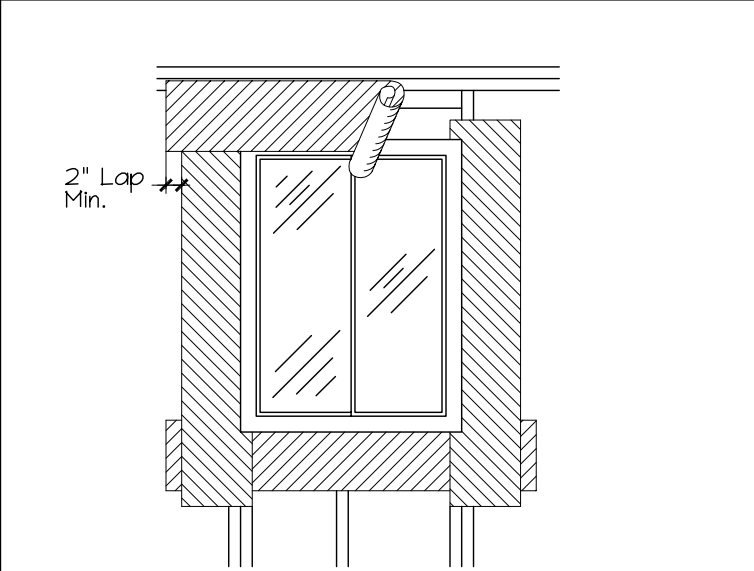
Attach a sill strip of approved flashing material at least 6" wide (*) even with the top of the rough opening in weather board fashion. Extend this strip at least 2" plus the width of the strip beyond the edge of the rough opening for the window. Attach flashing material with galvanized roofing nails or rust-resistant staples. Fasten the top edge only, but do not secure the body and lower edge, so the weather resistant building paper applied later may be slipped underneath the bottom flashing.

Step 1



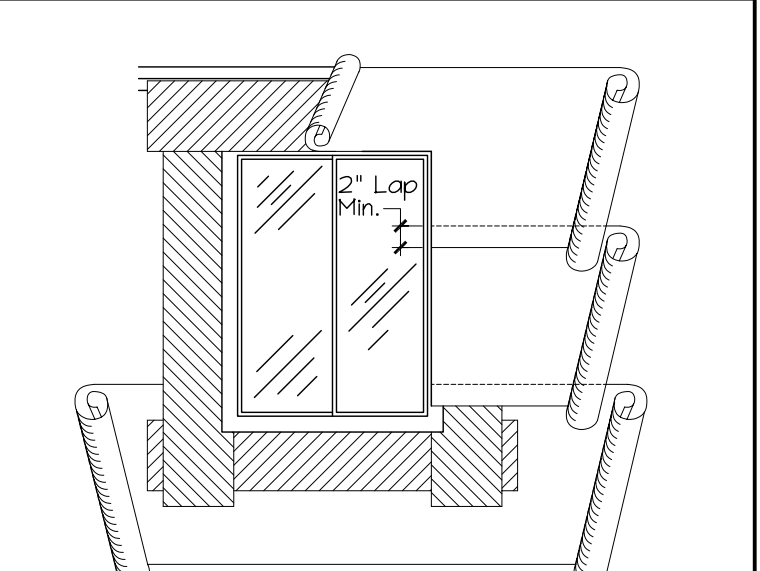
Next, attach the two jamb strips (vertical side sections at each side of the rough opening) of the flashing. The approved flashing material shall be at least 6" wide (*) with the inside edge of the flashing material even with edge of the rough window opening. Start jamb strips 2" below the sill strip and extend jamb strips 4" above the lower edge of the header (top of the window opening.)

Step 2



Apply a bead of caulking to the back surface of the window, then place the window into the rough opening, with flanges over the installed approved flashing material. After window is placed, install the head flashing over the window flange. This flashing strip must be ICBO approved and at least 6" wide.

Step 3



Starting at the bottom of the wall (sole plate), lay water-resistant paper under the sill strip, cut any excess water-resistant paper that may extend above the sill flange on each side of the opening. (Shown in diagram as short dash lines.) Install succeeding courses of water-resistant paper (B.C. etc.) over jamb and head flanges in single-board fashion.

Step 4

NOTES:

The above information provide general requirements, windows must be installed per manufacturer's installation instructions. Section 1402.2 of the Uniform Building Code states, "Exterior openings exposed to the weather shall be flashed in such a manner as to make them water proof." The following procedure is recommended to achieve this intent in the flashing of penetrations to include, but not limited to, windows, doors, vents, recessed electrical services enclosures, etc.

All materials are required to be approved by ICBO or another testing agency approved by the City and must be labeled for use. All materials must be installed per manufactures installation instructions.

(*) Footnote: The width of flashing noted here is the minimum manufactured width of approved flashing. Your window's manufacturer may require wider flashing, check with your manufacturer's installation instructions.



WINDOW FLASHING DETAIL

**HELP FOR THE HOMEOWNER
DEVELOPMENT SERVICES**

Rob Roshanian 10/14/04
Building Official: _____ Date
Date: 2/19/05 Sheet 1 of 1 B310